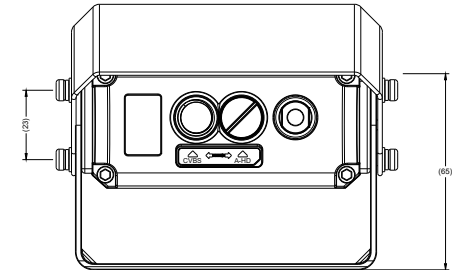
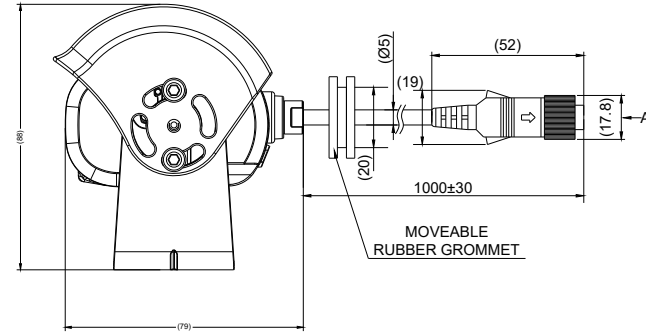
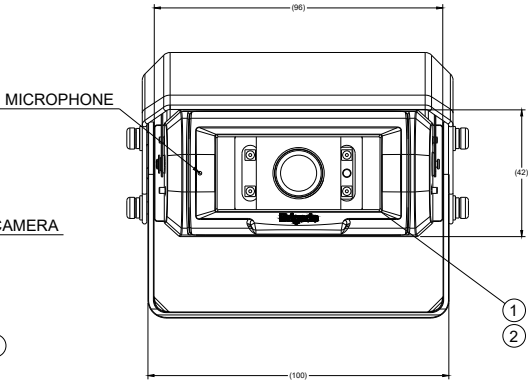
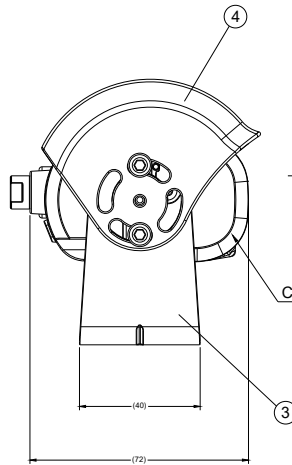
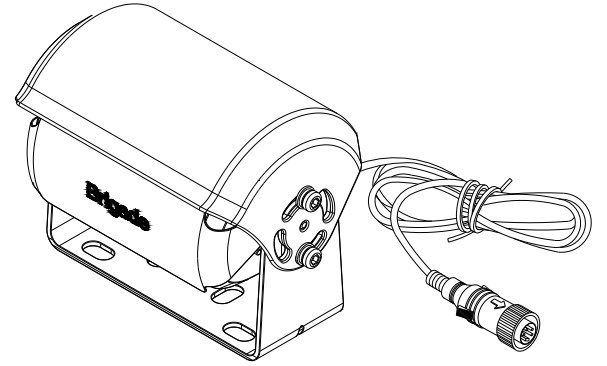
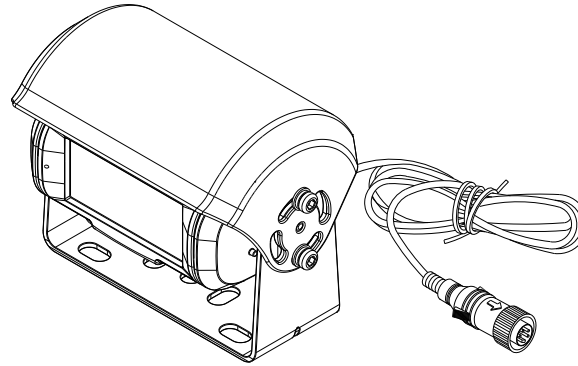
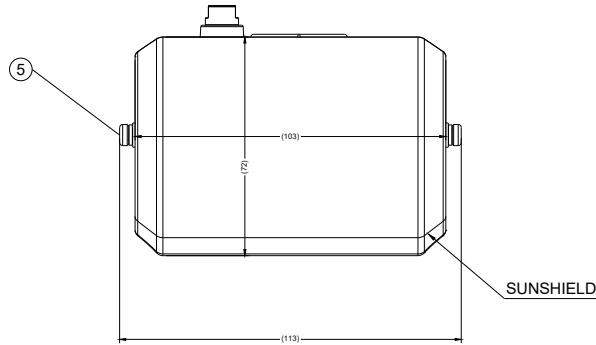


TABLE 1: BE-81XC CAMERA ONLY OPTIONS

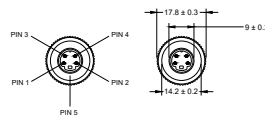
PART NO.	MODEL NO.	DESCRIPTION
8101	BE-8110C	ELITE SHUTTER CAMERA, HEATED & AUDIO CVBS/AHD 1080P (PAL/25FPS)
8102	BE-8111C	ELITE SHUTTER CAMERA, HEATED & AUDIO CVBS/AHD 1080P (NTSC/30FPS)

Revision Notes.

R1 -	APA -	Drawn-	Checked-	Approved-	Date-
------	-------	--------	----------	-----------	-------



VIEW A



4 PIN MINI DIN MALE MATING FACE

PIN #	WIRE COLOUR	DESCRIPTION
1	YELLOW	VIDEO
2	RED	+12V
3	BLUE	ADDITIONAL FUNCTION SHUTTER (CONTROL)
4	WHITE	AUDIO
5	SHIELD	GND

TABLE 2: CAMERA KIT CONTENTS

ITEM	①	②	③	④	⑤	⑥
PART NO.	8174	8175	8172	8173	3246	8164
MODEL NO.	BE-8110C-C	BE-8111C-C	BE-811XC BKT	BE-811XC SS	BE-8XXC & BE-2XXC FIX	BE-811XC-IG
DESCRIPTION	ELITE SHUTTER CAMERA, HEATED & AUDIO CVBS/AHD 1080P (PAL/25FPS) - CAMERA ONLY	ELITE SHUTTER CAMERA, HEATED & AUDIO CVBS/AHD 1080P (NTSC/30FPS) - CAMERA ONLY	BE-811XC MOUNTING BRACKET	BE-811XC SS SUNSHIELD	BE-8XXC & BE-2XXC FIXING KIT	BE-811XC INSTALLATION GUIDE (NOT SHOWN)
BE-8110C QTY.	1	-	1	1	1	1
BE-8111C QTY.	-	1	-	-	-	-

NOTES:

- FOR LABEL AND PACKAGING DETAILS REFER TO MASTER BOM.
- ANY CUSTOMER MODIFICATION OF THIS PRODUCT CAUSING SUBSEQUENT FAILURE IS NOT A LIABILITY OF BRIGADE ELECTRONICS PLC.

PROPRIETARY NOTICE

THIS DESIGN AND TECHNICAL INFORMATION APPEARING ON THIS DRAWING IS THE PROPERTY OF BRIGADE ELECTRONICS, AND IS DISCLOSED IN CONFIDENCE. IT IS NOT TO BE COPIED, REPRODUCED, REVEALED TO OR EXPROPRIATED BY OTHERS, EITHER IN WHOLE OR IN PART WITHOUT THE EXPRESS WRITTEN CONSENT OF BRIGADE ELECTRONICS.

Sheet 1 of 1	Assembly PI Approval TROY CHOI	Approved by A. KEBEDE	Checked by F. ADEMUJIMI	Drawn by E. MATHEW
Customer Approval -	Angle of Projection Third Angle	Units mm	Scale N/A	Released 13/10/2025
Status RELEASED		BE-811XC		
Part No SEE TABLE 1		BE-004984-00-24		

